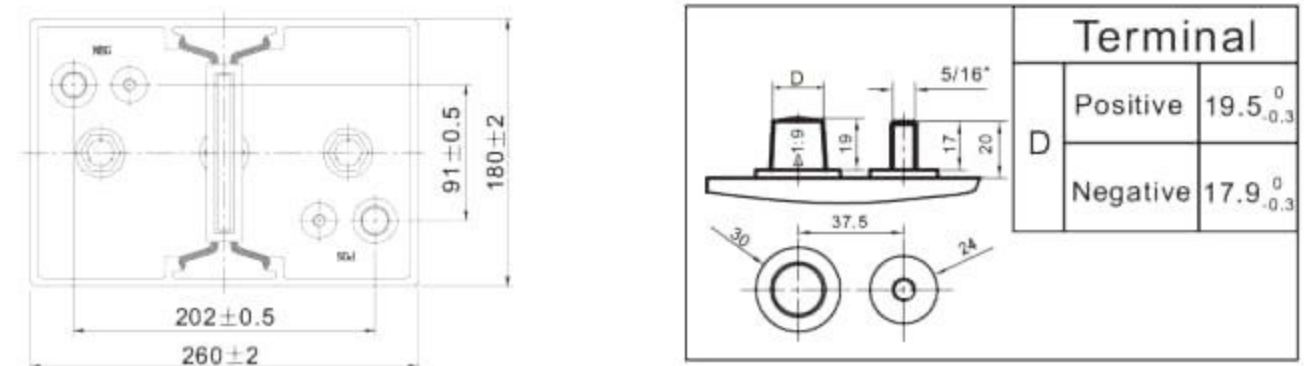
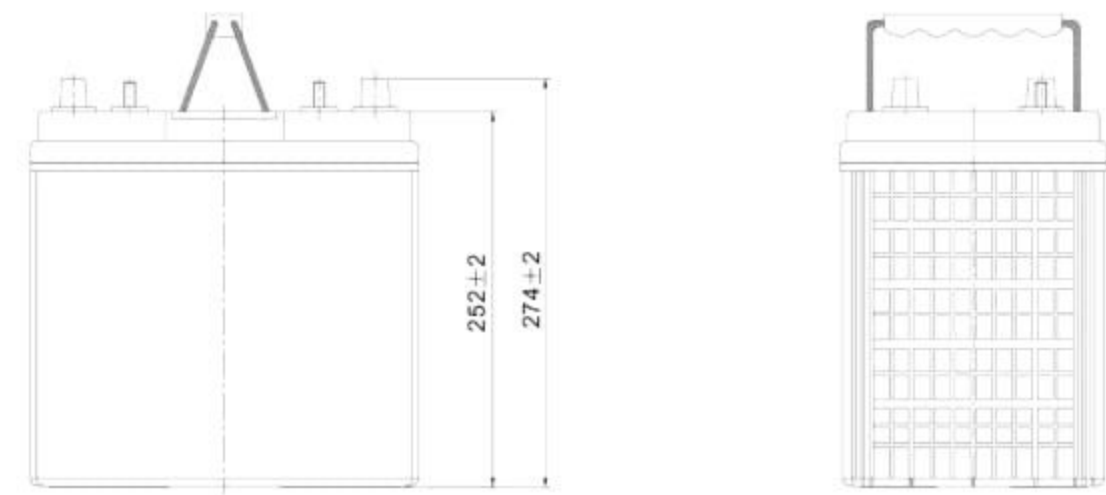


DC GF6210

Physical Specification

Nominal Voltage	6V
Nominal Capacity(20HR)	230Ah
Nominal Capacity(5HR)	195Ah
Length	260±2mm(10.24inches)
Width	180±2mm(7.09inches)
Container Height	252±2mm(9.92inches)
Total Height	274±2mm(10.79inches)
Wet Weight	Approx30.4Kg(67.03lbs)
Standard Terminal	MT
Container Material	PP



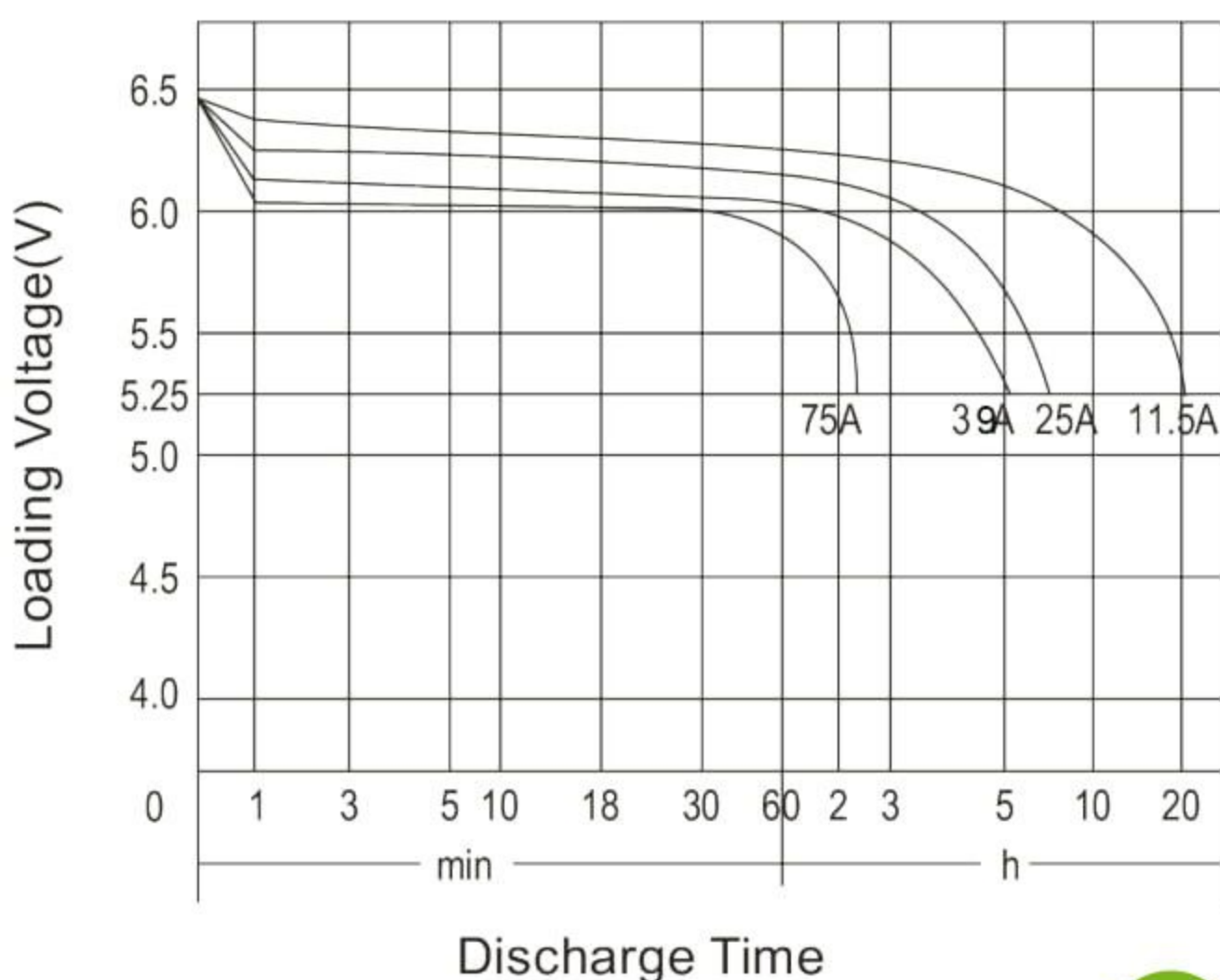
Charge Method Constant voltage charging at 20°C (68°F)

Type	Standby use	Cyclic use
Max.Charge Current	0.25C ₁₀ A	0.25C ₁₀ A
Charge Voltage	6.8~6.9V	7.2~7.35V
Temperature Compensation	-10mV/°C	-15mV/°C

Electrical Specification(20°C , 68°F)

Rated Capacity	20hourrate(11.5A)	230Ah
	5hourrate(39A)	195Ah
Reserve Capacity	25Amps	495min
	75Amps	140min

Discharge Characteristics(20°C , 68°F)



Cycle life in relation to depth of discharge

